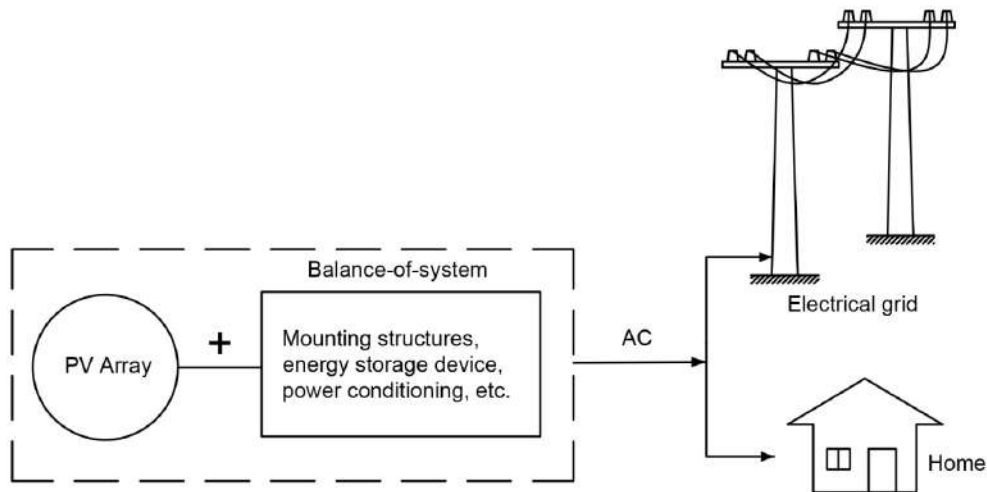
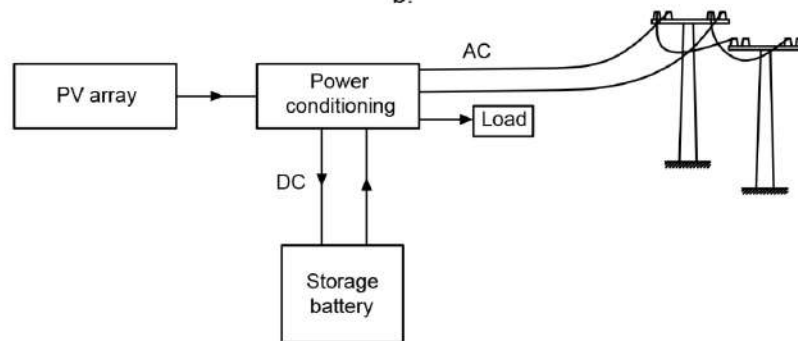


a. Schematic of grid connected solar PV power generation system.



b.



c.

Figure : Electricity generation from solar energy.